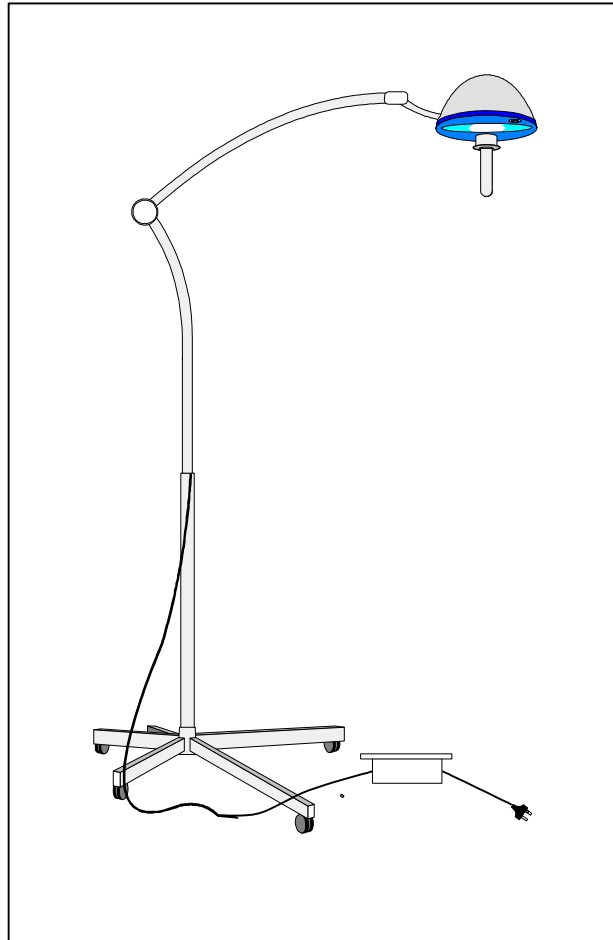


Data sheet

## HANAULUX® *blue 30* / HANAULUX® *blue 30 S* Stand version for MRI rooms



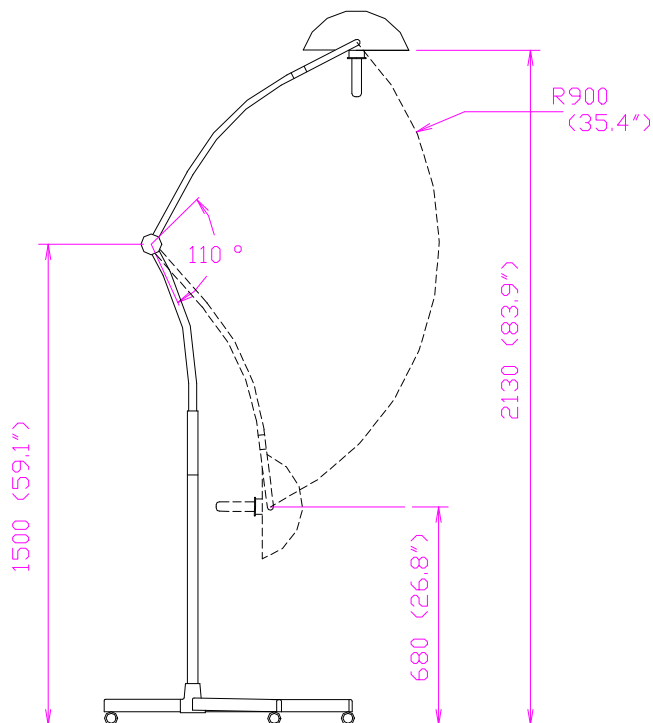
HANAULUX® *blue 30 S* stand version, MRI rooms

Lighting technique	<i>blue 30 S</i>
Light-intensity at 1 m / 39.4" distance	30,000 Lux
Light-field diameter at 1 m / 39.4" distance	17 cm / 6.7"
Working distance	70 - 130 cm / 27.6 - 51.2"
Temperature increase at surgical site (with 30,000 Lux)	5°C / 41°F
Luminous efficacy	250 lm/W
Color temperature	4300 K
Diameter of light outlets	20 cm / 7.9"

The data referring to the lighting technique are based on EN 60601-2-41.

<b>Electrical data</b>	<b>blue 30 S</b>
Power connection voltage	115/120 V
Frequency	60 Hz
Current consumption (115V-120V)	0.7 A / 0.3 A
Power consumption	65 VA
Halogen bulb	50 W / 24 V
Protection class II	

<b>Mechanical data</b>	<b>blue 30 S</b>
Swivel range	900 mm / 35.4"
Height adjustment	1450 mm / 57.1"
Mass	12.8 kg / 28.2 lb
Dimensions of light-head (LxWxH)	330 x 230 x 122mm / 13 x 9.1 x 4.8"
Dimensions of stand	550 x 650 mm / 21.7 x 25.6"
Non-tilting due to asymmetric 5-foot safety stand , lockable double castors	
Handle removable, sterilizable up to 134°C / 273°F	
Compact design: transformer, transformer should be placed outside of the MRI room; transformer is provided with a 20 m / 65.6 ft cable.	



subject to technical modification [datasheet / blue30smri / 01.01]

Distribué par ALPHACOMED - Tél:+33 442 73 10 89 - Fax:+33 442 73 10 03 - www.alphacommed.com

# Heraeus

Heraeus Medical Inc.  
6764-A Preston Avenue  
Livermore, California 94550  
Phone: 925-371-4150  
Fax: 925-371-5929

